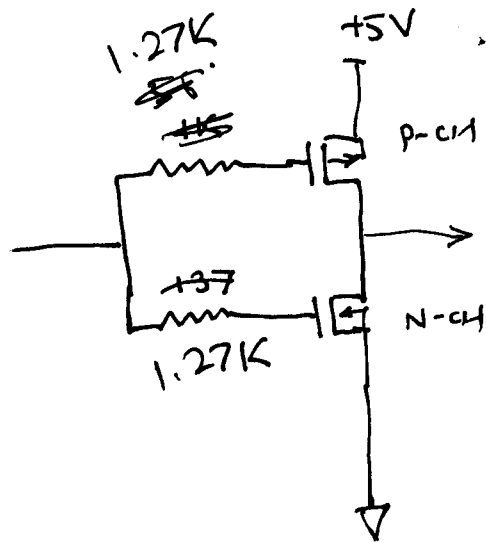


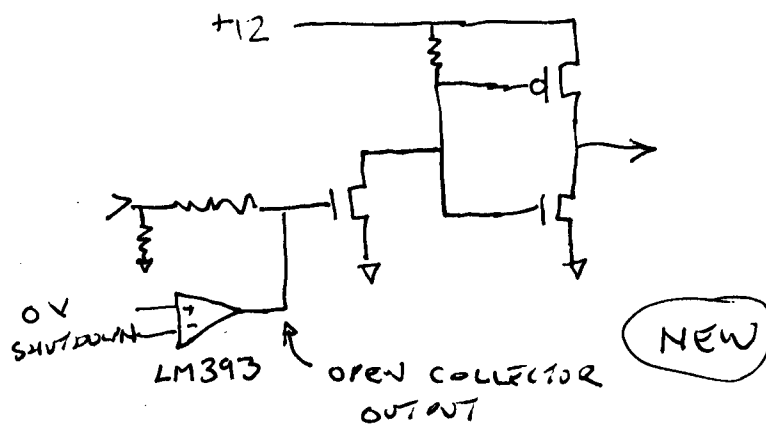
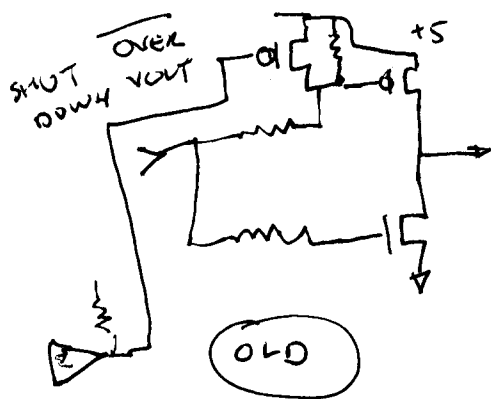
29 AUG 2013

Roderick.



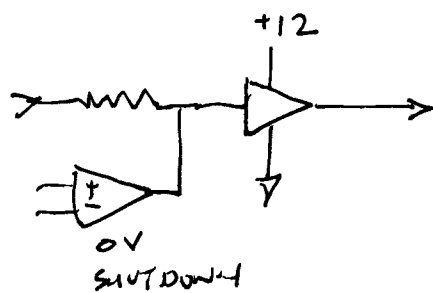
GATE DRIVER CIRCUIT ON BREADBOARD

25 SEP 2013. CHANGE IN GATE DRIVER CIRCUIT.



NEW CIRCUIT PROVIDES LEVEL SHIFT FOR +12V GATE DRIVE PROBLEM: IN OLD CIRCUIT, V_{TH} OF EACH TRANSISTOR PREVENTED SHOOT-THROUGH.

MAYBE SHOULD JUST BUY A GATE DRIVER IC.



MAYBE
LTC 4441-1

MOSFET GATE DRIVER

LTC 4441-1 HARD TO FIND

FAM 3122 - DEFAULT OFF SOIC-8, CURRENT TO 10.7A PEAK

TTL INPUT (DO NOT USE 3122C - CMOS)

NON-INVERTING. SUPPLY VOLTAGE TO 20V.

TI UCC37322 SEEMS SAME AS FAIRCHILD \$2.70
 L COMES IN DIP, SO8

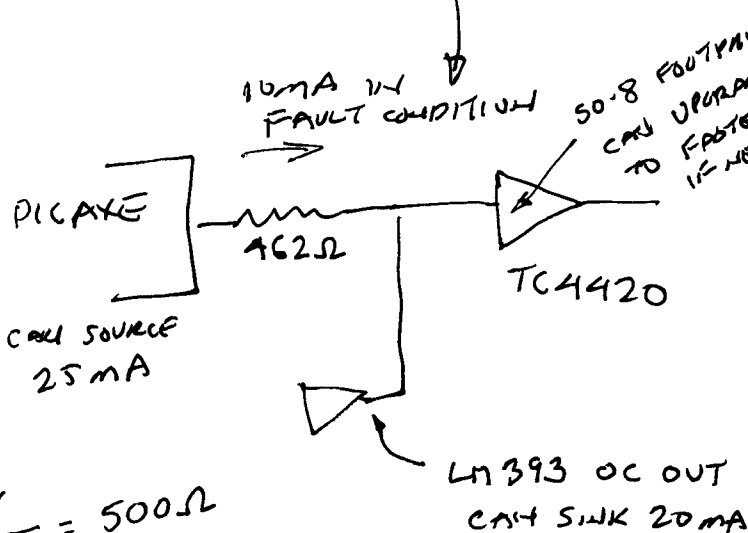
MICREL MIC4420, MIC4422, MIC4452

6A PDIP, TO-220 NO BIPOLAR 7A NO BIPOLAR 12A

ON SEMI NCP4422 - NO ENABLE, NO BIPOLAR TRANSISTOR IN DRIVE.
 COMES IN PDIP-8, 5-PIN TO-220

TC4420 MICROCHIP TECHNOLOGY 6A PDIP, SO-8. NO ENABLE, \$1.70

DON'T NEED ENABLE



IRFP4110 pBF
 GATE CHARGE 152nC
 210nC
 $200 \times 10^{-9} \text{ C} \times 10^5 \text{ Hz}$
 $= 2 \times 10^{-2} \text{ W}$
 21mW
 30 kHz \rightarrow
 65mW

$\frac{5V}{10mA} = 500\Omega$